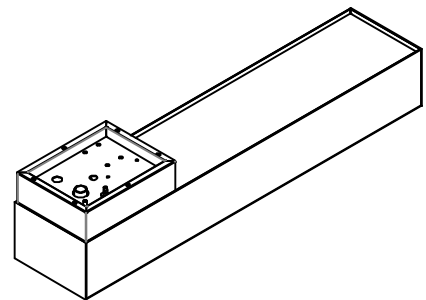
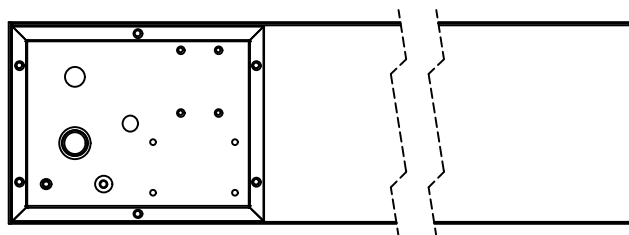
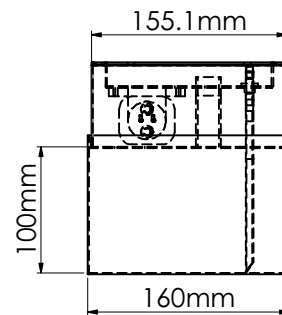
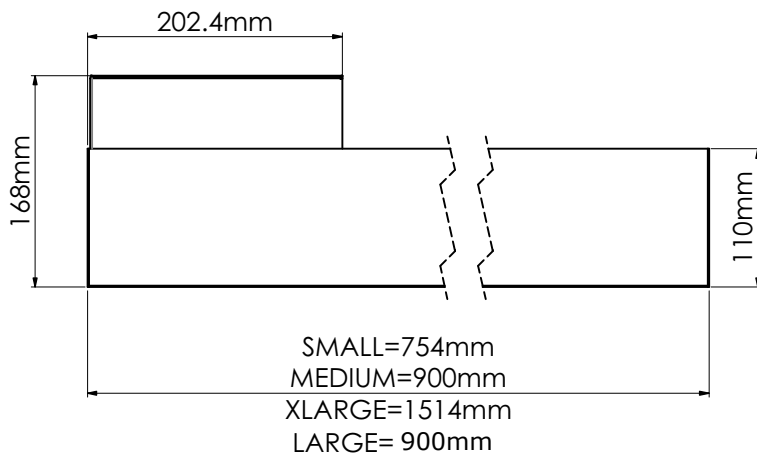


# IFIRE®

WE SPARK YOUR PROJECT

## PREMIUM BIO-ETHANOLHAARD EXTERNE TANK



### Specificaties

- |                              |       |
|------------------------------|-------|
| - Reservoirinhoud (L) SMALL  | 9.6L  |
| - Reservoirinhoud (L) MEDIUM | 11.5L |
| - Reservoirinhoud (L) LARGE  | 11.5L |
| - Reservoirinhoud (L) XLARGE | 19.5L |