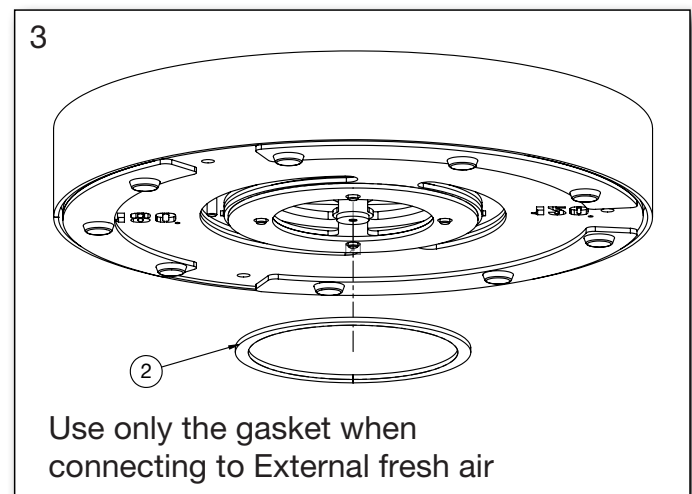
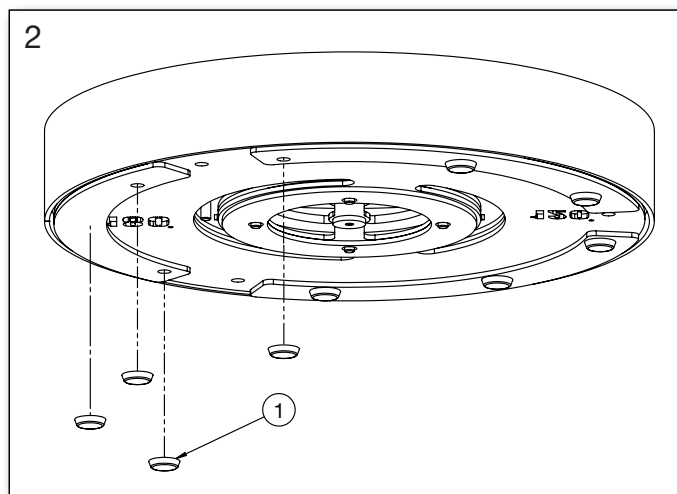
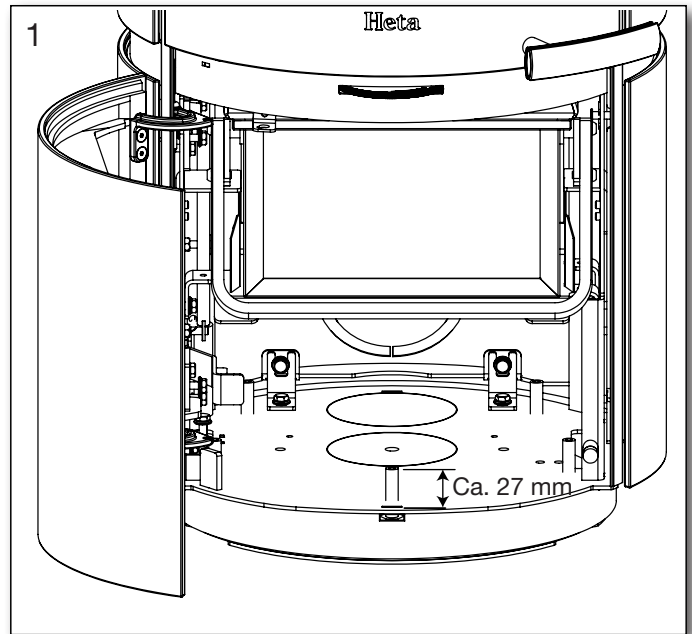
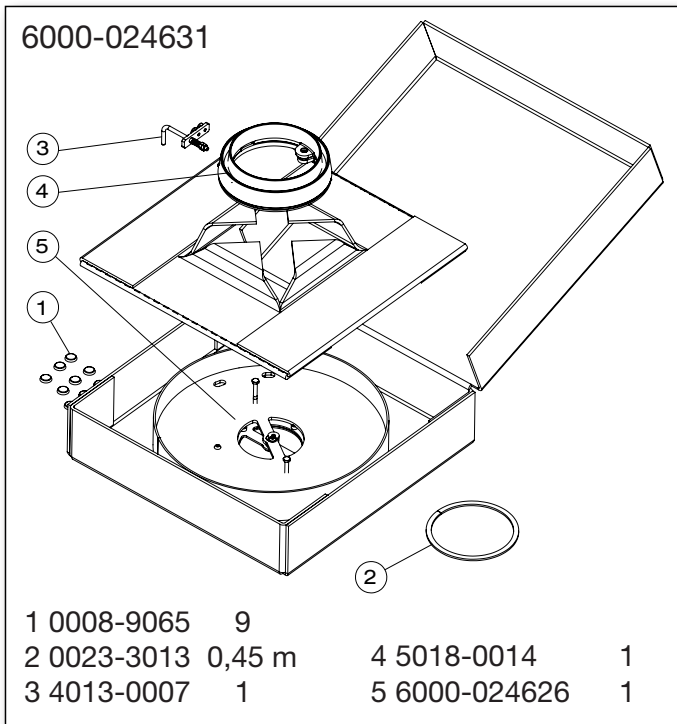


MOUNTING OF THE ROTATING BASE ON SCAN-LINE 8



www.heta.dk

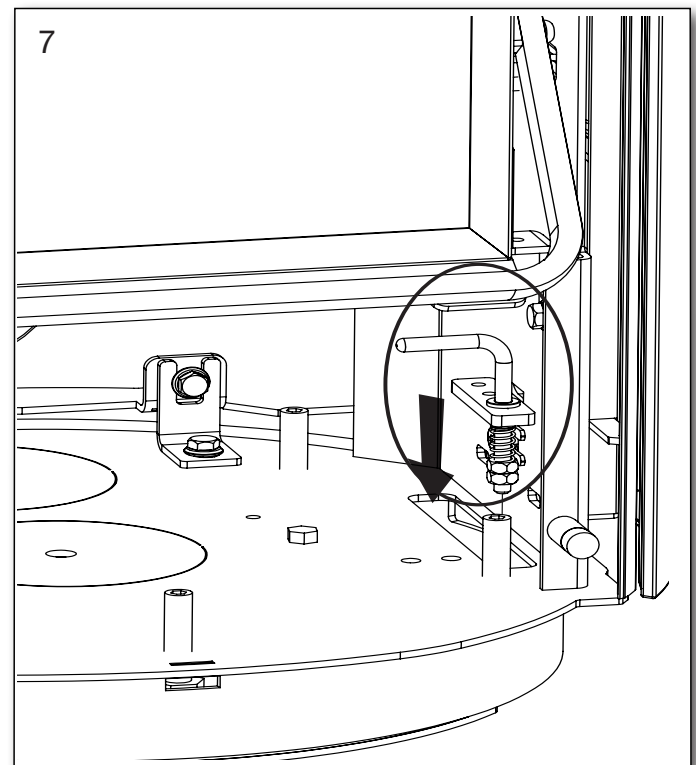
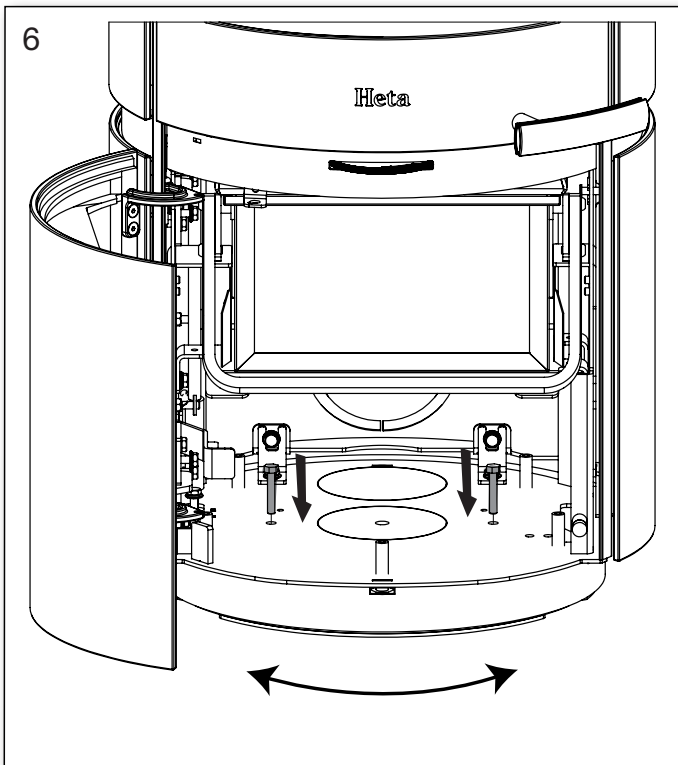
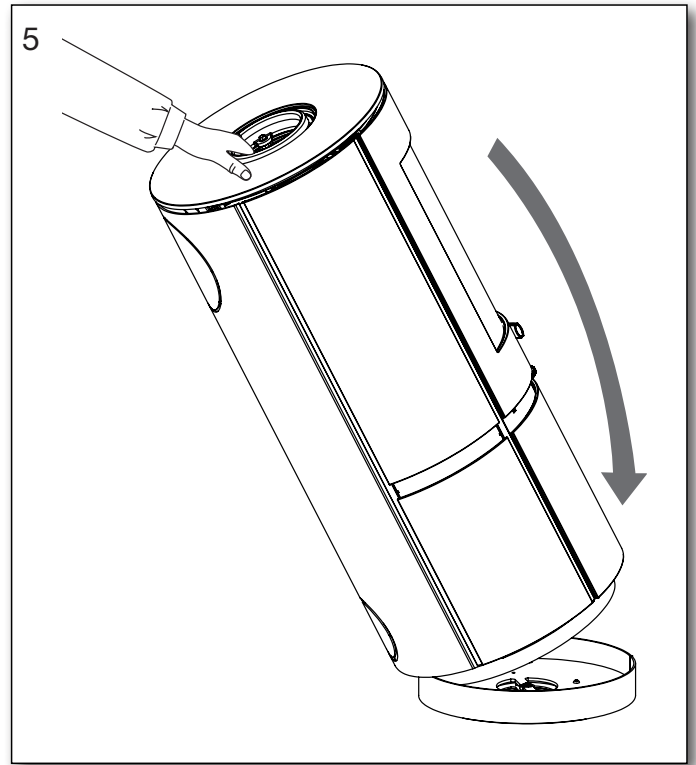
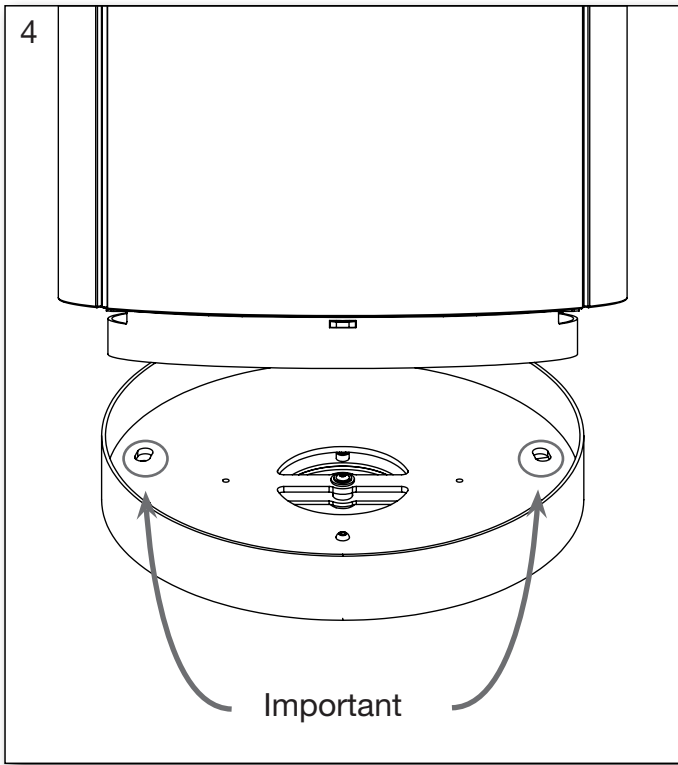


Heta A/S

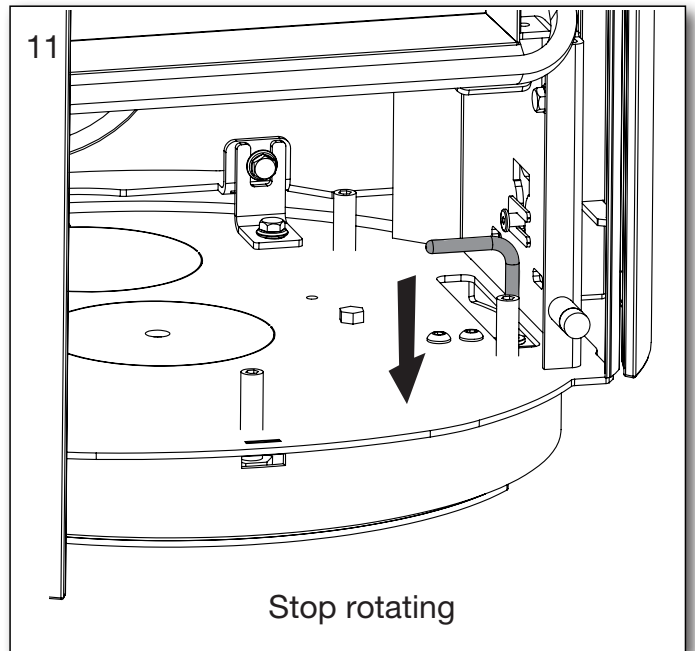
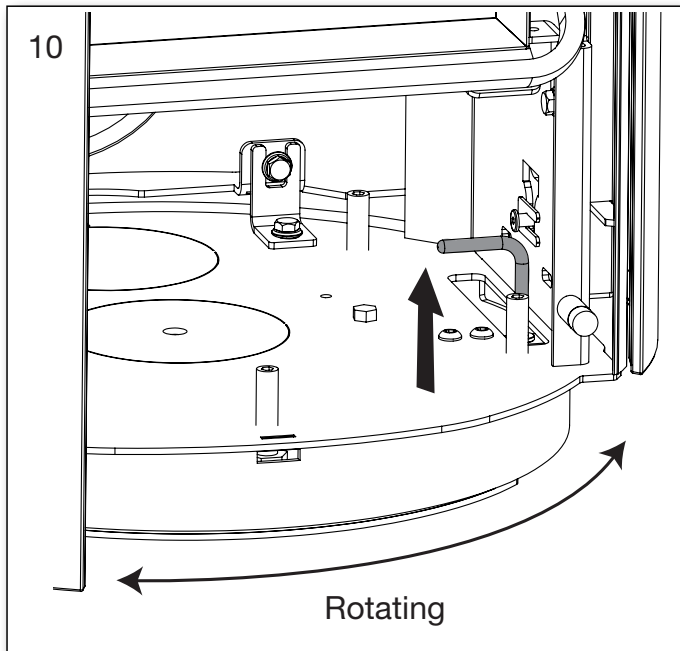
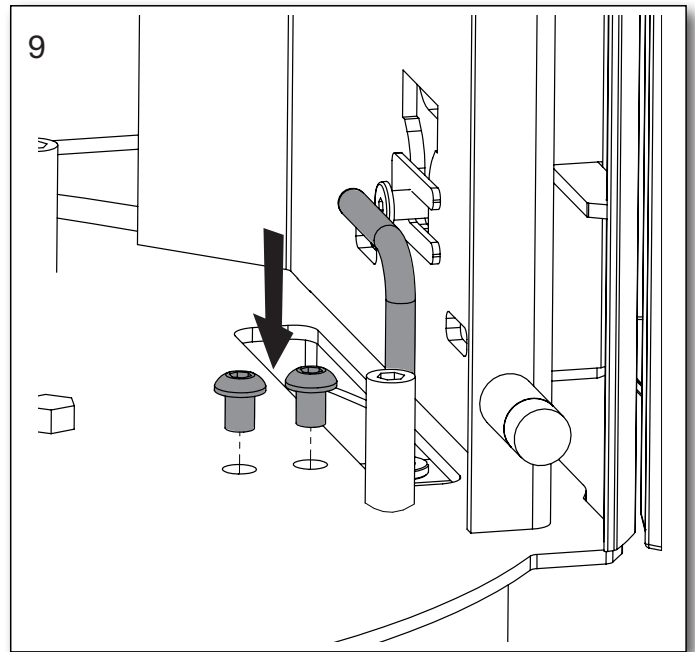
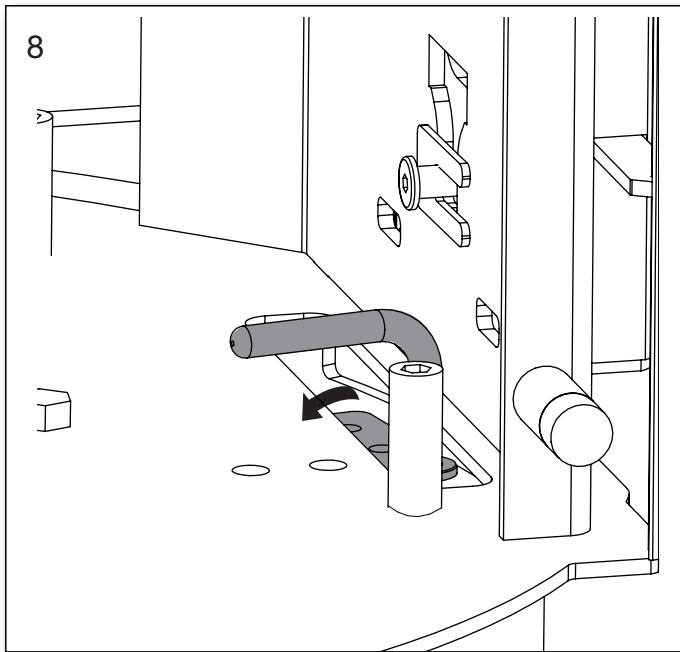
Jupitervej 22, DK-7620 Lemvig

T: +45 9663 0600, E-mail: heta@heta.dk

DK·DE·SE·NL·EN·FR



Mounting stop for rotating



MOUNTING OF EXTERNAL FRESH AIR ON SCAN-LINE 8 WITH ROTATING BASE

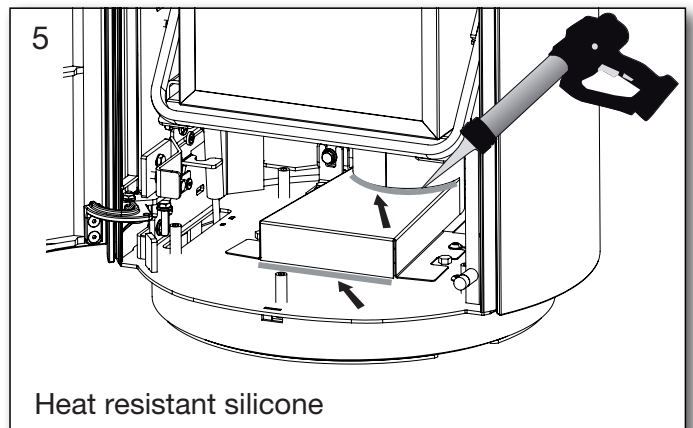
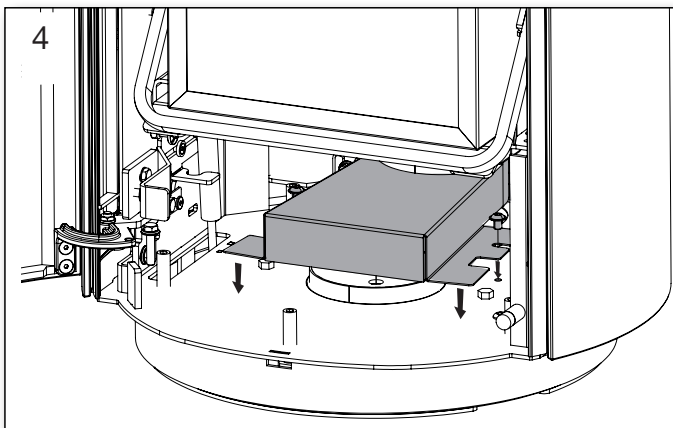
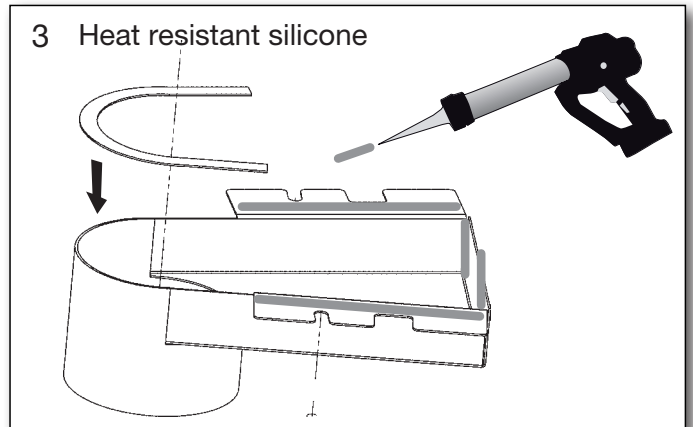
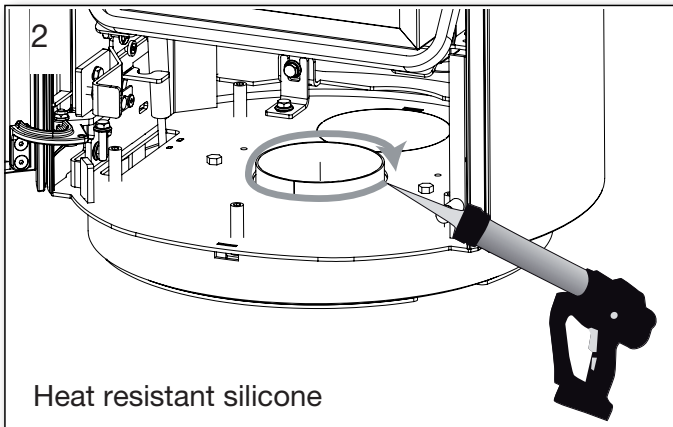
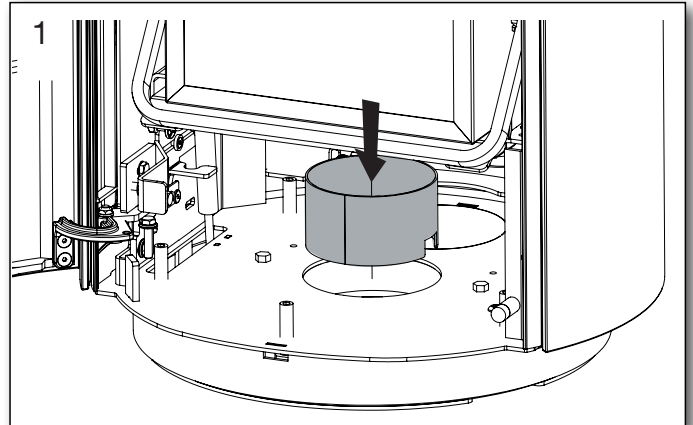
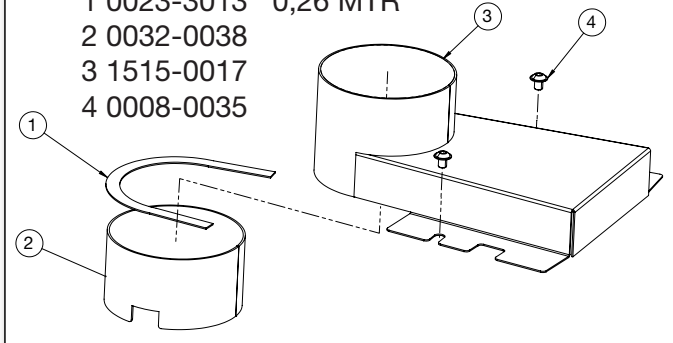
5032-0097

1 0023-3013 0,26 MTR

2 0032-0038

3 1515-0017

4 0008-0035



Connection between external air and air intake on the stove is not included.

The silicone and tools are not included.